

# Top 10 Reasons to Buy Creo™ Elements/Direct™ 18.0

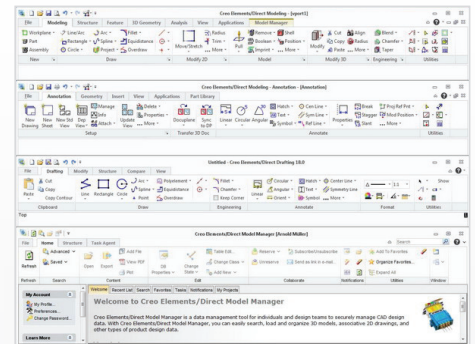
Formerly CoCreate®

Creo Elements/Direct 18.0—the latest release of PTC’s award-winning 2D and 3D CAD, CAE and product data management (PDM) software solution—brings new levels of design flexibility to direct modeling teams a new Creo-style ribbon user interface further lowers the learning curve for new users. Plus new 2D and 3D modification capabilities optimize the design workflow for expert users. And, interoperability with Creo apps extends design possibilities to ensure great product designs that customers demand. All of this results in shorter design cycles and improved team-wide productivity.

Want to know what’s new? Check out the 10 reasons to upgrade to Creo Elements/Direct 18.0 today:

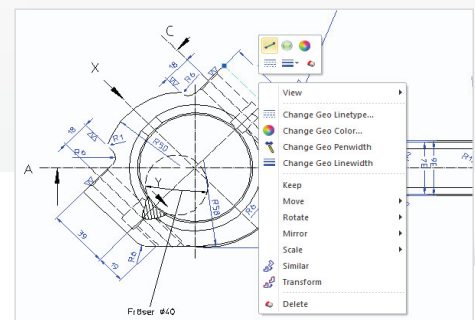
## 1. Intuitive user interface and interaction

A new, easy-to-learn and easy-to-use Creo-style ribbon-UI for Modeling, Drafting and Model Manager lowers the learning curve for new users.



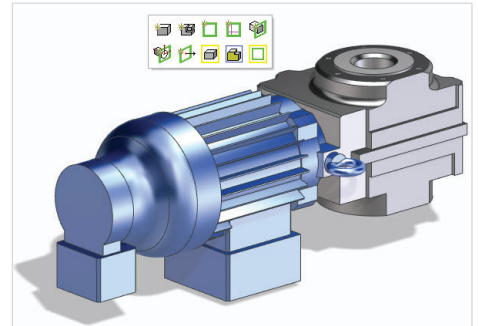
## 2. Streamlined context-sensitive command interaction

Context-sensitive command controls introduce familiar object-action concepts in Drafting.



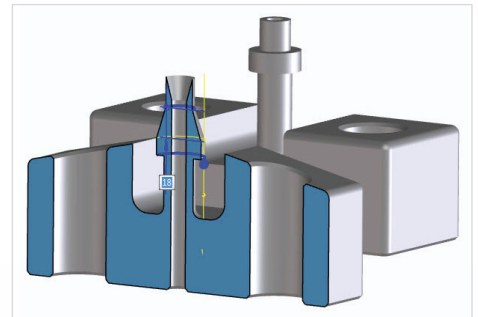
### 3. Mini-Toolbar extensions

Mini-Toolbar extensions in Creo Elements/Direct Modeling add another level of convenience for 3D designers. The Command Mini-Toolbar (CMT) has additional entries, is end-user customizable, and available without a preselected item. Additionally, the Option Mini Toolbars now allow multiple interactions.



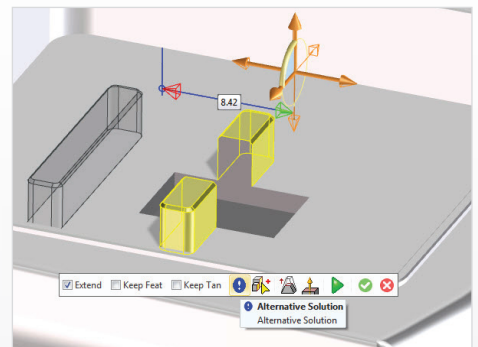
### 4. New Stretch Edge command

A new capability to move 3D edges, while adjusting the neighboring faces, provides highly efficient modification possibilities.



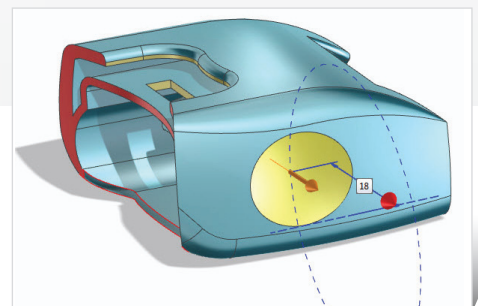
### 5. Control of solution alternatives in Move 3D

Intuitive control of solution alternatives in Move 3D indicates the existence of more than one possible solution in a given modification situation, thus providing more modeling power with fewer clicks.



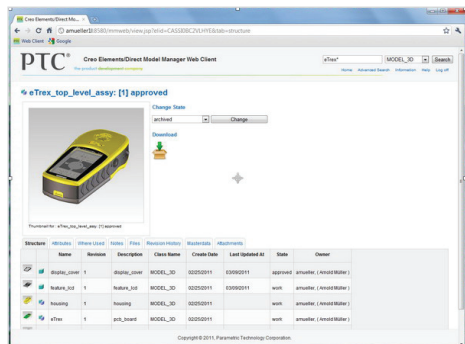
### 6. Face Part Modeling

Face parts, such as imported 3D models that do not represent closed volumes, are now modifiable like solid models, even without prior model repair.



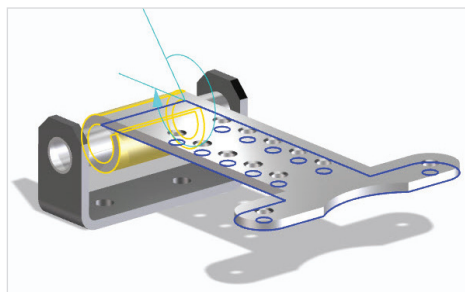
### 7. Easy access to design data for the broader team

For the extended product development team, a new Web Client option provides easy, browser-based access to design data in Creo Elements/Direct Model Manager. This new, customizable and extendable Web Client offers basic and advanced search, access to database information, and file download for data consumers.



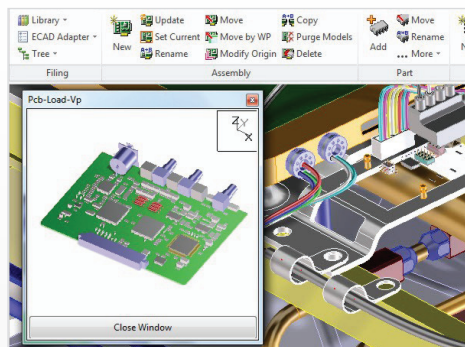
### 8. Productivity module extensions

In the Sheet Metal module, Unfold/Refold extensions support multiple parts and roll-bending, so that cylindrical sheet metal parts can be unfolded. Also, new sheet metal parts can be created with much more flexibility from an outline. Creo Elements/Direct Part Library provides extended catalog customization capabilities and a new concept for easier version updates. In the PCB module, IDF import improvements free users from tedious, manual interventions.



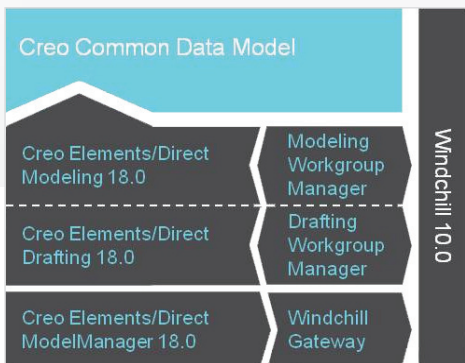
### 9. Solution extension with Creo apps

Using Creo apps with Creo Elements/Direct 18.0 design data for downstream processes, such as simulation, has never been easier. Streamlined interoperability workflows and further-improved geometric data exchange allow you to open Creo Elements/Direct models directly from other Creo applications like Creo Parametric or Creo Advanced Simulation Extension. Improved non-geometric data exchange with Creo View MCAD includes graphical PMI data for dimensions, tolerances, 3D notes, and GD&T symbols. 3D documentation planes are transferred as views.



### 10. Extended support for Windchill®

The new Windchill Workgroup Manager for Creo Elements/Direct Modeling\* (planned for 18.0 M010) enables direct integration to Windchill for 3D modeling designs.



\*Forward looking information subject to change without notice

Copyright 2011, Parametric Technology Corporation (PTC). All rights reserved. Information described herein is furnished for informational use only, is subject to change without notice, and should not be construed as a guarantee, commitment, condition or offer by PTC. PTC, the PTC logo, Windchill, CoCreate, Creo, Elements/Direct and all PTC product names and logos are trademarks or registered trademarks of PTC and/or its subsidiaries in the United States and in other countries. All other product or company names are property of their respective owners. The timing of any product release, including any features or functionality, is subject to change at PTC's discretion.